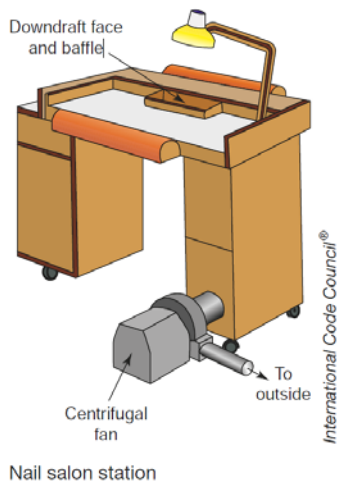


Table 403.3

Minimum Ventilation Rates for Nail Salons



CHANGE TYPE: Modification

CHANGE SUMMARY: Nail stations in nail salons must now each be provided with a source capture system.

2012 CODE:

TABLE 403.3 Minimum Ventilation Rates

Occupancy Classification	People Outdoor Airflow Rate In Breathing Zone R_p CFM/Person Occupant Density #/1000 ft ^{2a}	Airflow Rate In Breathing Zone R_a CFM/FT ^{2a} Occupant Density #/1000 ft ^{2a} People Outdoor Airflow Rate In Breathing Zone R_p CFM/Person	Default Occupant Density #/1000 ft ^{2a} Area Outdoor Airflow Rate In Breathing Zone R_a CFM/FT ^{2a}	Exhaust Airflow Rate CFM/FT ^{2a}
Beauty and nail salons ^{b,}	25	20	0.12	0.6
Nail Salons ^{b,h}	<u>25</u>	<u>20</u>	<u>0.12</u>	<u>0.6</u>

- e. Rates are per water closet or urinal. The higher rate shall be provided where periods of heavy use are expected to occur, such as, toilets in theaters, schools, and sports facilities. The lower rate shall be permitted where periods of heavy use are not expected. The higher rate shall be provided where the exhaust system is designed to operate intermittently. The lower rate shall be permitted only where the exhaust system is designed to operate continuously while occupied.
- f. Rates are per room unless otherwise indicated. The higher rate shall be provided where the exhaust system is designed to operate intermittently. The lower rate shall be permitted only where the exhaust system is designed to operate continuously while occupied normal hours of use.
- h. For nail salons, the required exhaust shall include ventilation tables or other systems that capture the contaminants and odors at their source and are capable of exhausting a minimum of 50 cfm per station each nail station shall be provided with a source capture system capable of exhausting not less than 50 cfm per station.

[No changes to portions of table and footnotes not shown.]

CHANGE SIGNIFICANCE: Footnote “h” to Table 403.3 has been modified to require nail salons to have a source capture system at each nail station. Based on the definition of a source capture system, the exhaust from a station in a nail salon is required to capture the air contaminants at their source and terminate them to the outdoor atmosphere. A minimum exhaust rate of 50 cfm is required at each station. Other clarifications were made, including changes to the headings in the table as well as footnotes “d” and “f.” The footnotes have been clarified by addressing when the higher and lower exhaust rates specified in the table for toilet rooms in public spaces are to be used.